

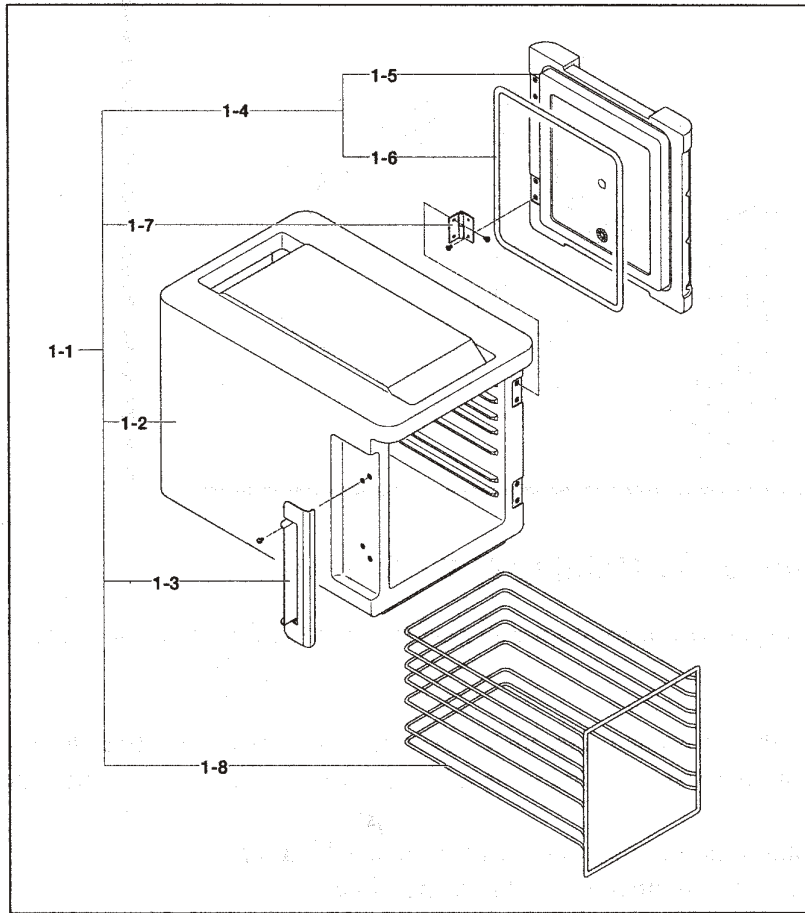
FOOD CONTAINER, MODEL GB-18, NATO-GREEN REPLACEMENT PARTS LIST

Occasionally parts will wear out or become lost. Accordingly, replacement parts are available from the Sint-Plast USA Distributor, K.C. Trading Ltd., Cage Code 1P9K9

Phone: (540) 720-8400

Fax: (540) 720-7077

E-mail: kctrading@aol.com or over our web site at <http://www.kctrading.com>



<input type="radio"/> EGGS	<input type="radio"/> GRAVY
<input type="radio"/> HOT CEREAL	<input type="radio"/> TEA
<input type="radio"/> STARCH	<input type="radio"/> COFFEE
<input type="radio"/> FRUITS	<input type="radio"/> COLD WATER
<input type="radio"/> MEAT	<input type="radio"/> HOT WATER
<input type="radio"/> VEGETABLE	<input type="radio"/> COLD BEVERAGE
<input type="radio"/> SOUP	
<input type="radio"/> SALAD	<input type="radio"/> _____

1-9

List of Components

ITEM NO.	STOCK NUMBER	FIG-KEY	ITEM IDENTIFICATION	U/I	QTY
1	991.5493.01	1-1	Container, Food, GB18-R, with rack, NATO-green	EA	1
	991.5493.02	1-1	Container, Food, GB18, without rack, NATO-green	EA	1
2	296.1138.00	1-2	Container, Rotation Molded, NATO-green	EA	1
3	296.3940.00	1-3	Clamp, Pullover, Stainless Steel	EA	1
4	296.1233.00	1-4	Door Assembly, With Gasket, NATO-green	EA	1
5	296.1232.00	1-5	Door, Rotation Molded, NATO-green	EA	1
6	294.5101.30	1-6	Gasket Seal, Door	EA	1
7	296.3941.00	1-7	Hinge, Stainless Steel	EA	2
8	296.3363.00	1-8	Rack, Stainless Steel	EA	1
9	294.5203.02	1-9	Label, Self Adhesive, Roll, 250 Labels	RO	1
10	820.9503.51		Operation Manual GB-18, NATO-green	EA	1

Electrolux s.à.r.l.

op der Hei, 14
L - 9809 Hosingen
LUXEMBOURG

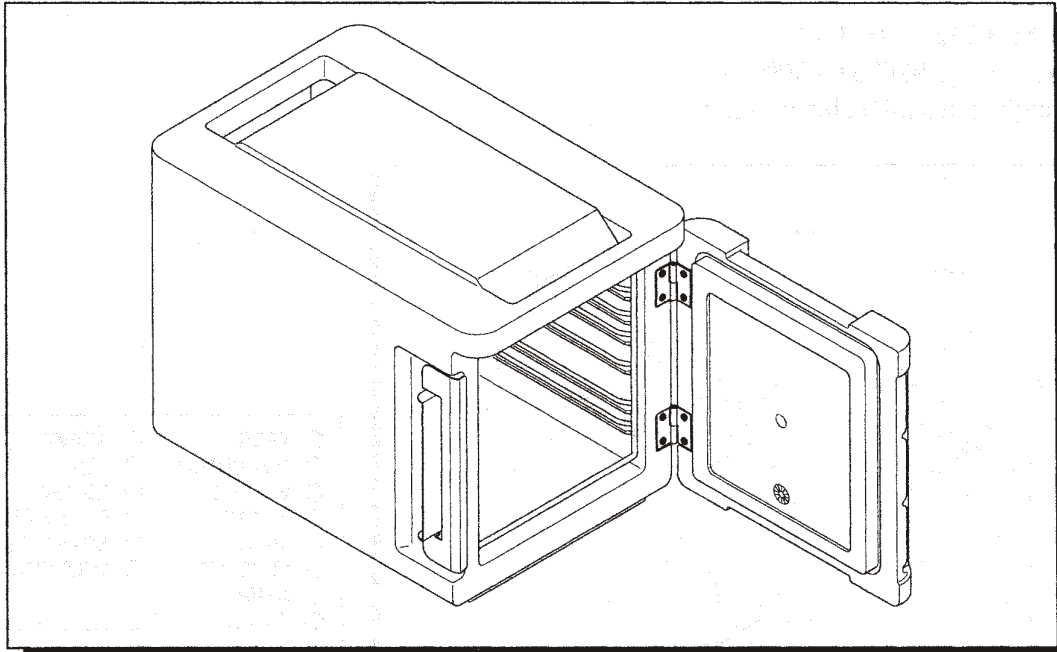
phone +352 920731 1
fax +352 920731 300
email sales.ktl@electrolux.lu



K.C. Trading, Ltd.
Mr. Charles Velez
phone: +1 540 720 8400
fax: +1 540 720 7077
email: kctrading@aol.com

FOOD CONTAINER, MODEL GB-18

OPERATION & MAINTENANCE SHEET



Procedures for Optimum Temperature Holding & Performance

Preheating of the container is unnecessary; however, for optimum performance the following steps are recommended.

- Fill the stainless steel container with hot water (max. 90°C) 30 minutes prior to inserting desired HOT food. For cold food chill the stainless steel container in a refrigerator, freezer, or by filling with chilled water.
- Place the desired food inside the stainless steel liner and fill till the liner is full.
- Secure the inner lid & outer door to the container as quickly as possible.
- Using the provided labels, mark the contents of each container.
- Non-prepackaged (processed) food must be stored in Gastronorm-containers with sealed lid.

Care & Cleaning

- Clean the rack and containers (stainless steel and plastic) after each use by using a neutral detergent.
- Remove gasket for cleaning regularly. Clean gasket with a neutral detergent and a thin barrel brush.
- Container may be run through a dishwasher with temperature up to 90°C with no adverse effects to the components. Remove gasket from outer lid before washing in a dishwasher.
- Allow unit to air dry after cleaning and reassemble unit.